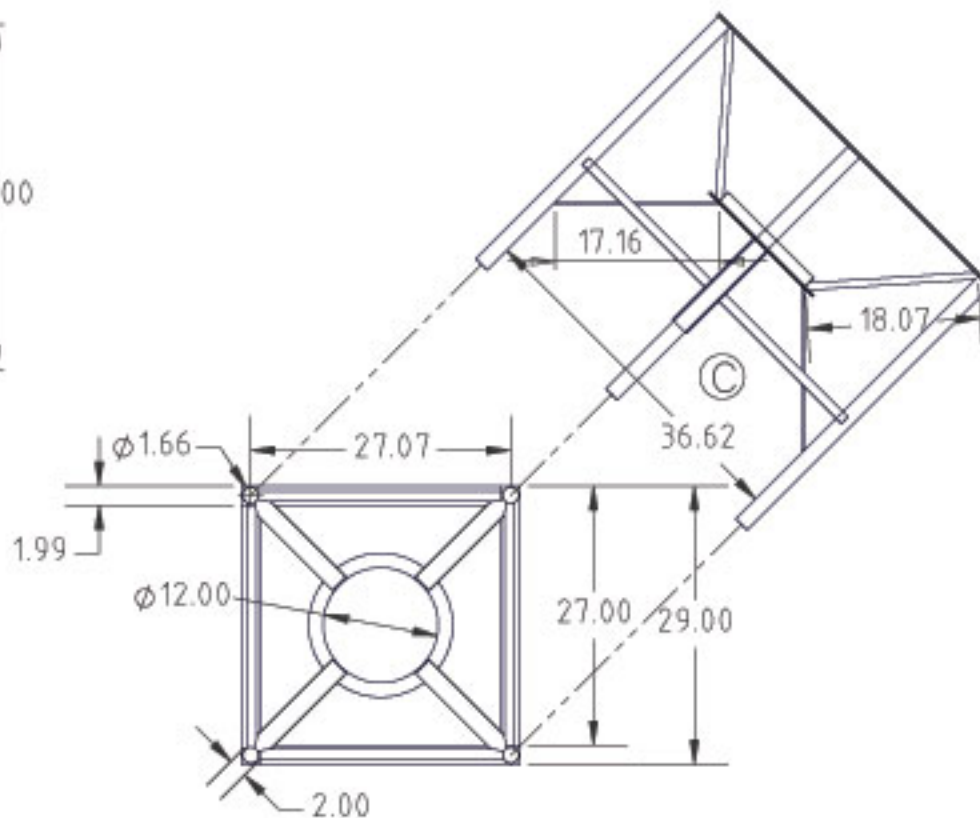
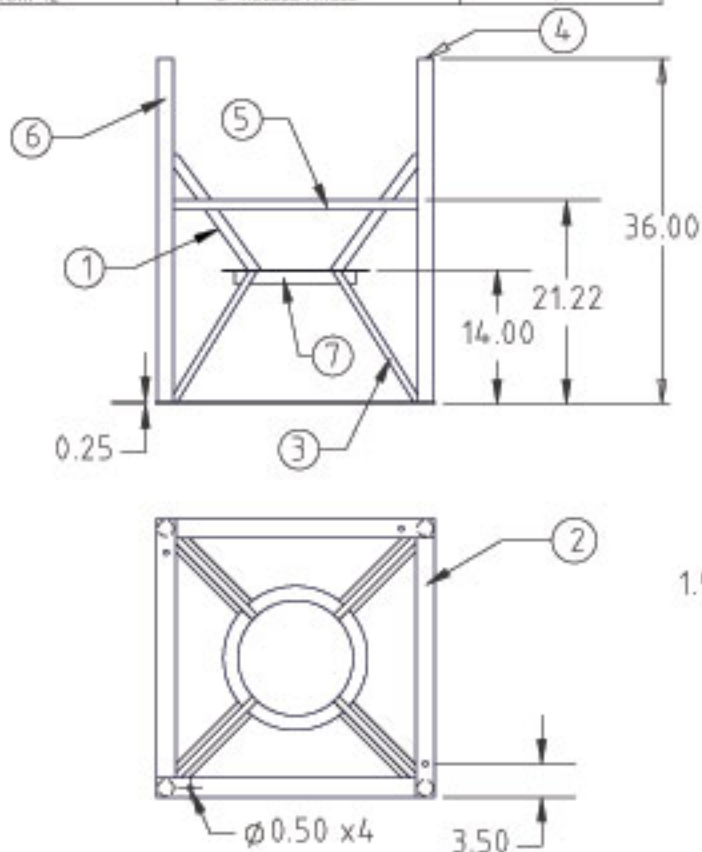


KEY	PART NUMBER	MATERIAL	DESCRIPTION	QTY.
1	CB036-45ST-1	B02500X20000	1/4" X 2" FLAT	4 @ 17 3/16 IN (168.15 IN)
2	CB036-45ST-2	B02500X20000	1/4" X 2" FLAT	4 @ 27 1/16 IN (108.25 IN)
3	CB036-45ST-3	P05000	1/2" SIZE TUBING	4 @ 17 1/2 IN (170 IN)
4	CB036-45ST-4	MILD STEEL	1 3/8" PUNCHOUT	4
5	CB036-45ST-5	T1000X01090	1" OD ROUND MILD X .109 WALL	4 @ 25 3/8 IN (101.5 IN)
6	CB036-45ST-6	T1660X01090	1.66 RD MILD X .109 WALL	4 @ 35 1/2 IN (142 IN)
7	RAR-12	RAR-12	12" ROLLED ANGLE	1



REV	DESCRIPTION	BY / DATE	ECN	DRAWN / DATE	APPROD / DATE	MATERIAL	NOTES
C	INCREASE LEG SPACING CONSIDER	5/22/07	DHJ				
B	TOLERANCE WAS 1% @ 68°F	3/8/07	GWC				
A	ADDED HOLE SPACING DIMS AND DIM	5/15/06	NVE				
REV	DESCRIPTION	BY / DATE	ECN				

ALL DIMENSIONS ARE IN DECIMAL INCHES TOLERANCES UNLESS OTHERWISE SPECIFIED DECIMAL ± .125" FRACTION ± 1/4" ANGLE ± 1°	THIRD ANGLE PROJECTION AND 1:1	NOTES
DESCRIPTION STAND FOR 45" 150 GALLON CONE BOTTOM TANK		SCALE N.S.
PART NO. CB036-45ST		