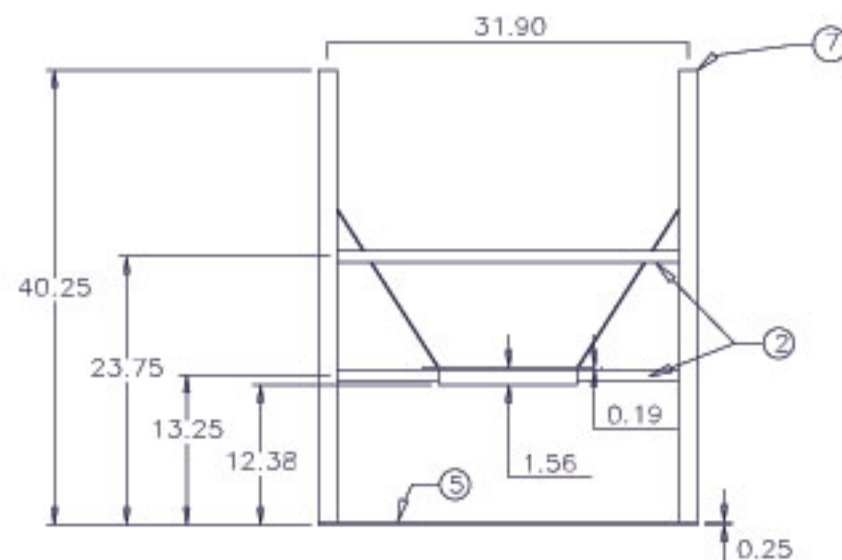
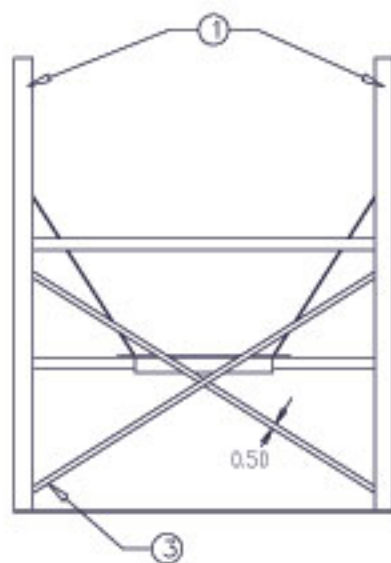
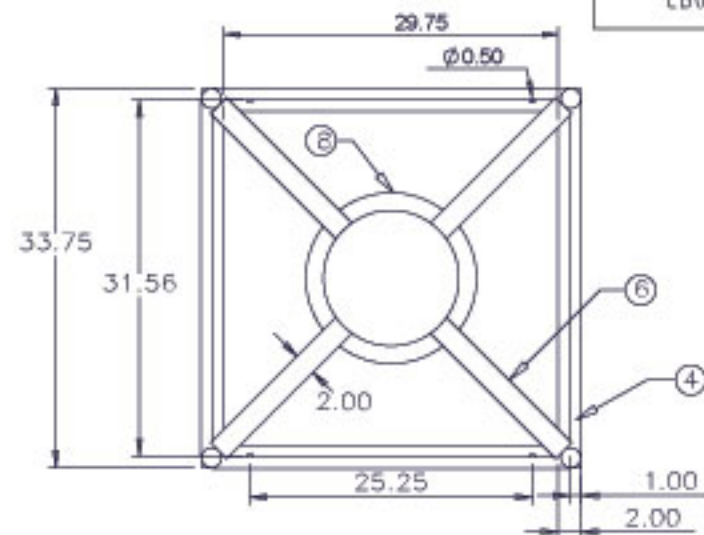


KEY	PART NUMBER	MATERIAL	DESCRIPTION	QTY.
1	CB042-45ST-1	11660X01090	366 RD MILD STL FULL	4 @ 40 IN 068 IN
2	CB042-45ST-2	T1000X01090	1" OD ROUND MILD STEEL 119 WALL	4 @ 30 IN 081 IN
3	CB042-45ST-3	R05000	1/2" MILD STEEL ROD	4 @ 36 IN 044 IN
4	CB042-45ST-4	B02500X20000	1/4" X 2" FLAT BAR	2 @ 33.75 IN 167.5 IN
5	CB042-45ST-5	B02500X20000	1/4" X 2" FLAT BAR	2 @ 29.75 IN 148.5 IN
6	CB042-45ST-6	B02500X20000	1/4" X 2" FLAT BAR	4 @ 21.5 IN 107.5 IN
7	CB042-45ST-7	MILD STEEL	1 3/8 KNOCKOUT	4
8	RAR-12	RAR-12	12" ROLLER ANGLE	1



REV	DESCRIPTION	BY / DATE	CCN	DRAWN / DATE	MATERIAL	NOTES
B	TOLERANCE WAS 1% @68°F	3/8/97	DWC			
A	ADDED B.O.M.	5/7/00	NVE	APPRD. / DATE		
ALL DIMENSIONS ARE IN DECIMAL INCHES TOLERANCES UNLESS OTHERWISE SPECIFIED DECIMAL ± .125" FRACTION ± 1/4" ANGLE ± 1°				THIRD ANGLE PROJECTION FIRST ANGLE		DESCRIPTION STAND FOR 45* 150 GALLON CONE BOTTOM TANK SCALE N.S. PART NO. CB042-45ST