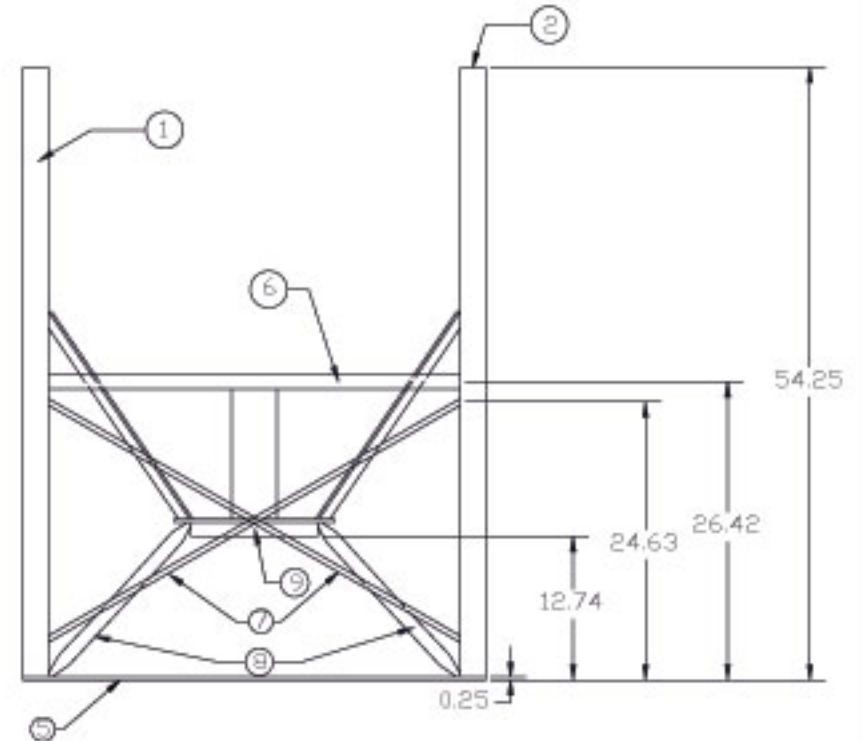
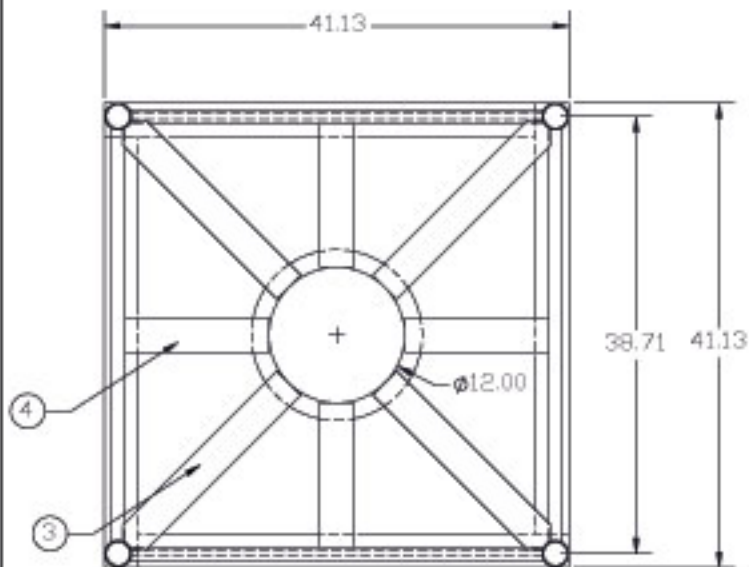


KEY	PART NUMBER	MATERIAL	DESCRIPTION	QTY.
1	CB052-45ST-1	P20000	2" SIZE TUBING	4 @ 54 IN (216 IN)
2	CB052-45ST-2	MILD STEEL	1.88 KNOCK OUT	4
3	CB052-45ST-3	B02500X30000	1/4 X 3 FLAT BAR	4 @ 28IN (112 IN)
4	CB052-45ST-4	B02500X30000	1/4 X 3 FLAT BAR	4 @ 17.50 IN (70 IN)
5	CB052-45ST-5	B02500X30000	1/4 X 3 FLAT BAR	4 @ 38.0625 IN (152.25 IN)
6	CB052-45ST-6	P10000	1" SIZE TUBING	4 @ 36.25 IN (145 IN)
7	CB052-45ST-7	R05000	1/2" MILD STEEL ROD	4 @ 42 IN (168 IN)
8	CB052-45ST-8	T1000X01090	1" OD ROUND MILD X .109	4 @ 23 IN (92 IN)
9	RAR-12	RAR-12	12" ROLLED ANGLE	1



E	TOLERANCE WAS 1% @ 68 F	3/8/07	DWC
D	ISOLATED STAND CHANGED PN	5/17/06	NVE
C	CHANG PART NO. TO CB0345-52	10/5/04	CCN
B	ADD FITTING INFORMATION	10/5/04	CCN
A	FINALIZE PART	9/15/04	CCN
REV	DESCRIPTION	BY / DATE	CCN

DRAWN / DATE

MATERIAL

APPRD. / DATE

THIRD ANGLE PROJECTION
ANSI Z39.1

NOTES:

DESCRIPTION 52" DIA STAND FOR 345 OR 500 GAL CONE BOTTOM TANKS

SCALE N.S.

PART NO. CB052-45ST

ALL DIMENSIONS ARE IN DECIMAL INCHES
TOLERANCES UNLESS OTHERWISE SPECIFIEDDECIMAL ± .125"
FRACTION ± 1/4"
ANGLE ± 1°