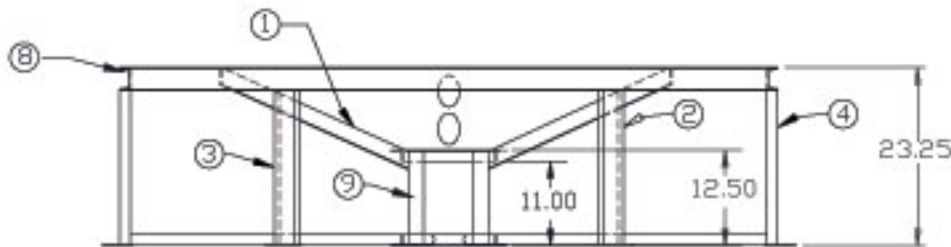
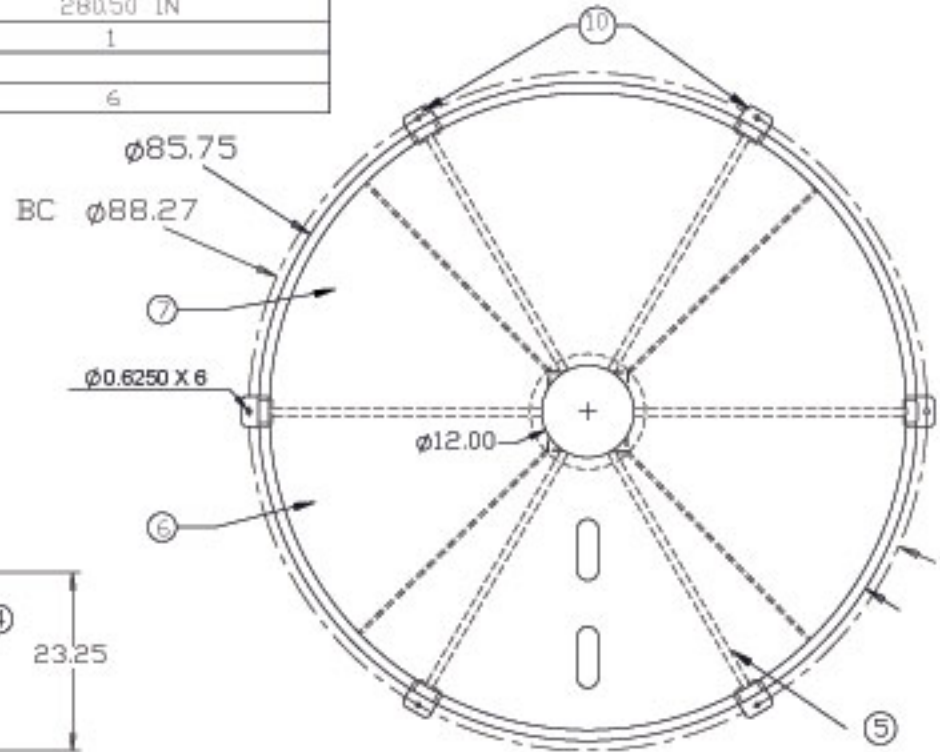



KEY	PART NUMBER	MATERIAL	DESCRIPTION	QTY.
1	CB085-15ST-1	B03750x20000	3/8 X 2 MILD STEEL FLAT	141.00 IN, (4 @ 35.25 IN)
2	CB085-15ST-2	C03X4.1	3" MILD STEEL CHANNEL<LEFT>	1
3	CB085-15ST-3	C03X4.1	3" MILD STEEL CHANNEL<RIGHT>	1
4	CB085-15ST-4	C03X4.1	3" MILD STEEL CHANNEL	120.00 IN (6 @ 20.00 IN LEFT AND RIGHT LEGS INCLUDED)
5	CB085-15ST-5	P10000	1" SIZE TUBING	211.5 IN, (6 @ 35.25)
6	CB085-15ST-6	S-14GA	14 GA MILD STEEL SHEET<HOLES>	844B SI, (2 @ 48" X 88")
7	CB085-15ST-7	S-14GA	14 GA MILD STEEL SHEET	844B SI, (2 @ 48" X 88")
8	CB085-15ST-8	C03X4.1	3" MILD STEEL CHANNEL	280.50 IN
9	S.JCB86-90ST-1	S.JCB86/90ST-2 RAR-12	12" CONE BOTTOM RING STAND ASSEMBLY	1
10	S.JCB86-90ST-7	S.JCB86/90ST-7	1/4" X 4" X 4" LEG PAD	6



DRAWN / DATE		MATERIAL	
B	PN WAS CB085-15ST	NVE T/31/06	
APPRD. / DATE			
A	ADDED B.O.M.	NVE 5/17/06	
REV	DESCRIPTION	BY / DATE	CCN
ALL DIMENSIONS ARE IN DECIMAL INCHES TOLERANCES UNLESS OTHERWISE SPECIFIED DECIMAL ± .125" FRACTION ± 1/4" ANGLE ± 1°		THRU HOLE PROJECTION REF: N.S.M.	
		NOTES:	
DESCRIPTION		CONE BOTTOM STAND FOR Ø86" 15" TANKS	
SCALE	N.S.	PART NO.	CB086-15ST