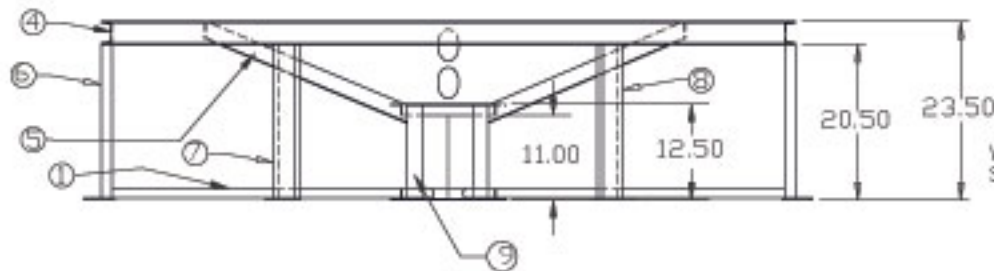
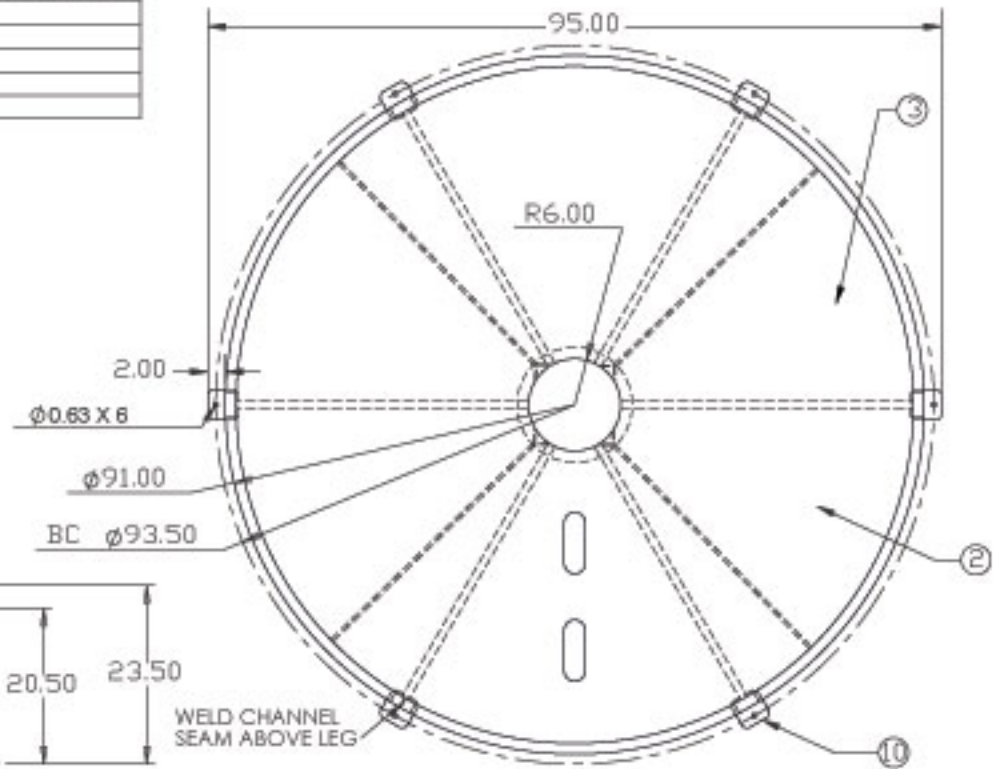


KEY	PART NUMBER	MATERIAL	DESCRIPTION	QTY.
1	CB090-15ST-1	P10000	1" PIPE	6 @ 37.75 IN (226.5 IN)
2	CB090-15ST-2	S-14GA	14 GA SHEET STEEL(HOLES)	1
3	CB090-15ST-3	S-14GA	14 GA SHEET STEEL	2 @48" X 96" (9216 SI)
4	CB090-15ST-4	C03X4.1	3" CHANNEL	298 IN
5	CB090-15ST-5	803750X20000	3/8" X 2" MILD STEEL FLAT	4 @ 38 IN (152 IN)
6	CB090-15ST-6	C03X4.1	3" CHANNEL	6 @ 20.50 IN (123 IN LEFT AND RIGHT LEGS INCLUDED)
7	CB090-15ST-7	C03X4.1	3" CHANNEL (LEFT)	1
8	CB090-15ST-8	C03X4.1	3" CHANNEL (RIGHT)	1
9	RAR-12	RAR-12	12" CONE BOTTOM RING STAND ASSEMBLY	1
10	S.JCB86-90ST-7	S.JCB86-90ST-7	1/4" X 4" X 4" LEG PAD	6



			DRAWN / DATE	MATERIAL		
B	TOLERANCE WAS 1X @ 68"	CCN	APPRD. / DATE			
A	ADDED COMPONENT MATERIALS	CCN				
REV	DESCRIPTION	BY / DATE	CCN			
ALL DIMENSIONS ARE IN DECIMAL INCHES TOLERANCES UNLESS OTHERWISE SPECIFIED DECIMAL ± .125" FRACTION ± 1/4" ANGLE ± 1°			THRU HOLE PROJECTION AWS 1.5M	NOTES:	DESCRIPTION CONE BOTTOM STAND FOR Ø90 15" TANKS SCALE N.S. PART NO. CB090-15ST	