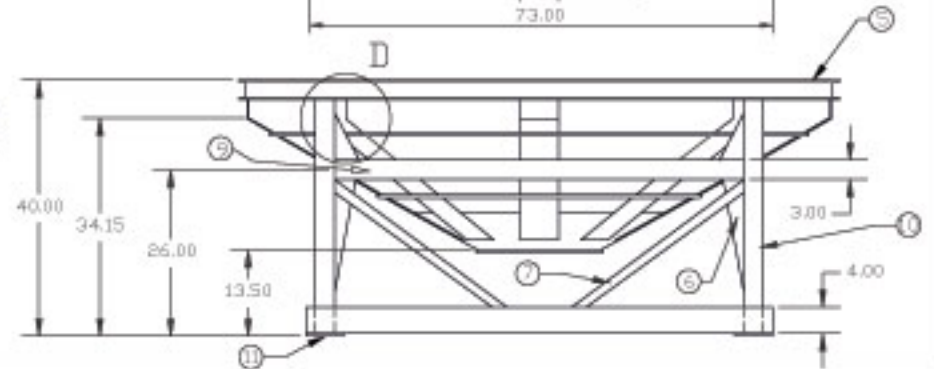
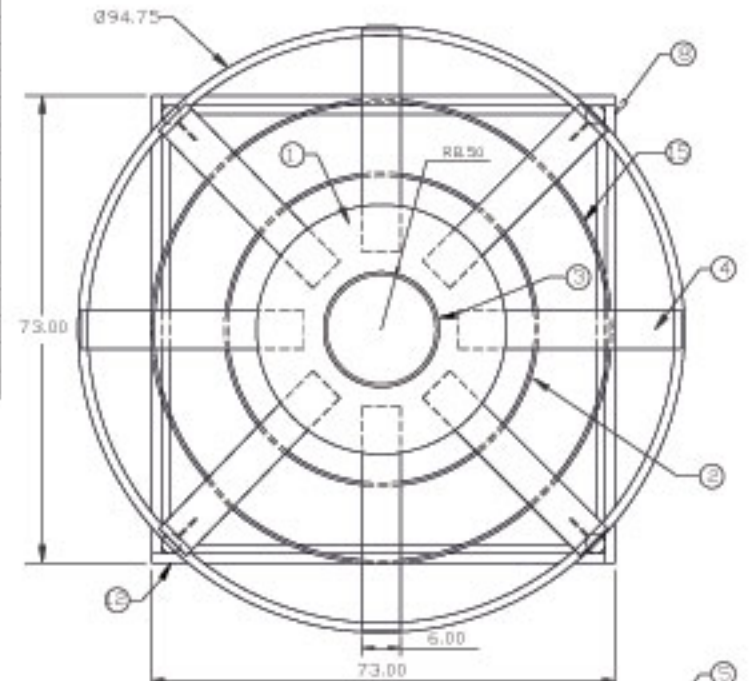
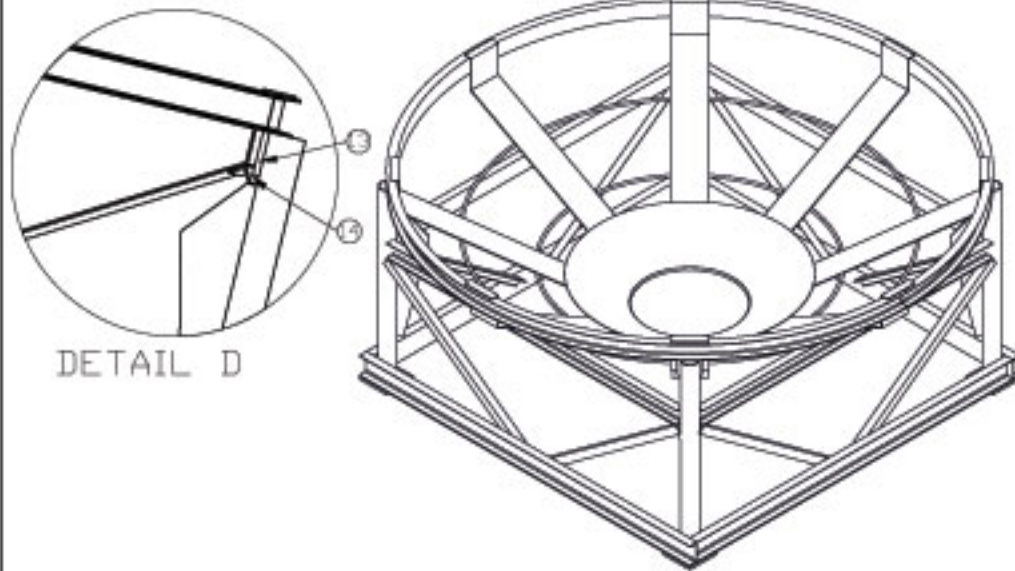


KEY	PART NUMBER	MATERIAL	DESCRIPTION	QTY.
1	CB090-30ST-1	SJCB090-PANBASE	14 GA MILD STEEL SHEET	2 @ 24' X 48 IN (2304 SQ)
2	CB090-30ST-2	R05000	1/2" MILD STEEL ROD	168 IN
3	CB090-30ST-3	R05000	1/2" MILD STEEL ROD	72 IN
4	CB090-30ST-4	S-1875	3/16" MILD STEEL SHEET	2172 SQ
5	CB090-30ST-5	C03X4.1	3" MILD STEEL CHANNEL	312 IN
6	CB090-30ST-6	S-2500	1/4" MILD STEEL SHEET	4
7	CB090-30ST-7	A01875X15000	3/16" X 1 1/2" STEEL ANGLE	8 @ 36 IN (288 IN)
8	CB090-30ST-8	C04X5.4	4" MILD STEEL CHANNEL	2 @ 69.75 IN (139.5 IN)
9	CB090-30ST-9	C03X4.1	3" MILD STEEL CHANNEL	4 @ 64 IN (256 IN)
10	CB090-30ST-10	P25000	2 1/2" SIZE TUBING	4 @ 36.5 IN (146 IN)
11	CB090-30ST-11	B05000x60000	1/2" X 6" MILD STEEL FLAT	4 @ 1/2 X 6 X 6 IN (144 SQ)
12	CB090-30ST-12	C04X5.4	4" MILD STEEL CHANNEL	2 @ 73 IN (146 IN)
13	CB090-30ST-13	R05000	1/2" MILD STEEL ROD	8 @ 3.5 IN (28 IN)
14	CB090-30ST-14	A01875X15000	3/16" X 1 1/2" STEEL ANGLE	4 @ 5.5 IN (22 IN)
15	CB090-30ST-15	R05000	1/2" MILD STEEL ROD	240 IN

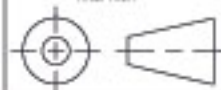


C	5-14 GA UPDATED TO SJCB090 P.B	CCN	DRAWN / DATE	MATERIAL
B	TOLERANCE WAS 1% @ 68°F	CCN		
A	ISOLATED STAND, ADDED B.O.M	CCN	APPRD. / DATE	
REV	DESCRIPTION	BY / DATE	CCN	

ALL DIMENSIONS ARE IN DECIMAL INCHES
TOLERANCES UNLESS OTHERWISE SPECIFIED

DECIMAL ± .125"
FRACTION ± 1/4"
ANGLE ± 1°

THRU HOLE PROJECTION
RWD P.5/11



NOTES:

DESCRIPTION CONE BOTTOM STAND FOR 30°, 90φ TANK

SCALE N.S.

PART NO. CB090-30ST