

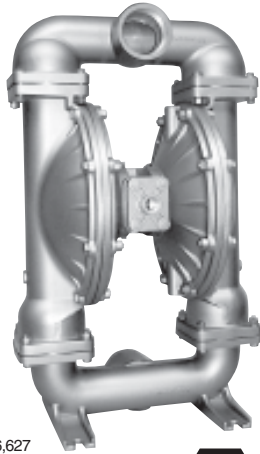
**WARREN  
RUPP®**

Quality System  
ISO9001 Certified

Environmental  
Management System  
ISO14001 Certified

**IDEX**  
IDEX CORPORATION

U.S. Patent #5,996,627  
& 6,241,487. Other U.S.  
Patents Applied for



CE



I M2 c/b T5  
II 2GD b T5

**SANDPIPER®**

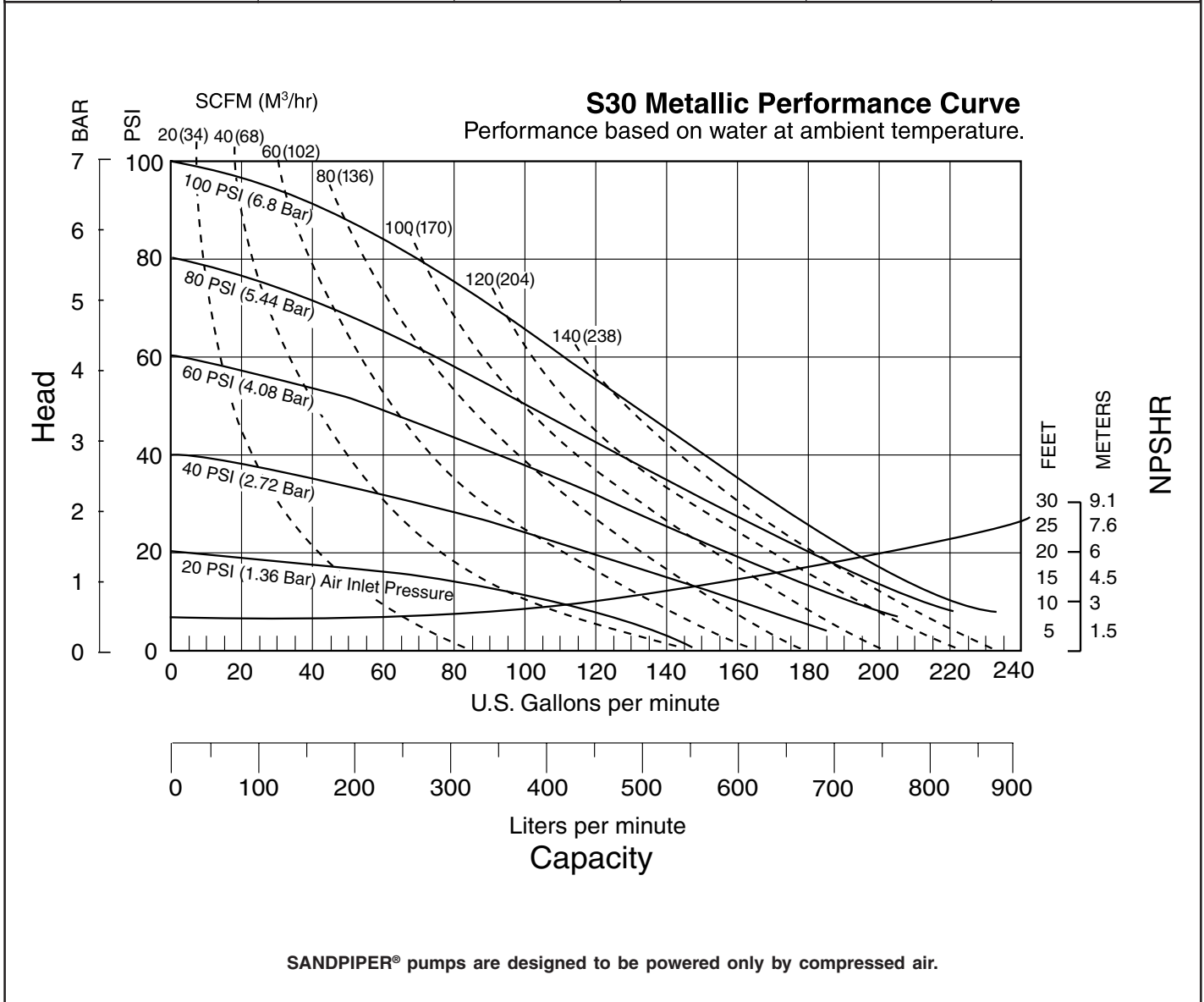
A WARREN RUPP PUMP BRAND

# S30 Metallic Design Level 1 Ball Valve

**Air-Powered  
Double-Diaphragm Pump**

ENGINEERING, PERFORMANCE  
& CONSTRUCTION DATA

INTAKE/DISCHARGE PIPE SIZE	CAPACITY	AIR VALVE	SOLIDS-HANDLING	HEADS UP TO	DISPLACEMENT/STROKE
3" NPT(internal) 3" BSPT Tapered (internal)	0 to 235 gallons per minute (0 to 889 liters per minute)	No-lube, no-stall design	Up to .25 in. (6mm)	125 psi or 289 ft. of water (8.6 Kg/cm <sup>2</sup> or 86 meters)	.94 Gallon / 3.56 liter



SANDPIPER® pumps are designed to be powered only by compressed air.

# Explanation of Pump Nomenclature

## S30 Metallic · Design Level 1· Ball Valve

MODEL	Pump Brand	Pump Size	Check Valve Type	Design Level	Wetted Material	Diaphragm/ Check Valve Materials	Check Valve Seat	Non-Wetted Material Options	Porting Options	Pump Style	Pump Options	Shipping Kit Options	Weight lbs. (kg)
S30B1ABBANS000.	S	30	B	1	A	B	B	A	N	S	0	00.	116 (53)
S30B1AEEANS000.	S	30	B	1	A	E	E	A	N	S	0	00.	116 (53)
S30B1AGTANS000.	S	30	B	1	A	G	T	A	N	S	0	00.	116 (53)
S30B1ANNANS000.	S	30	B	1	A	N	N	A	N	S	0	00.	116 (53)
S30B1A1EANS000.	S	30	B	1	A	I	E	A	N	S	0	00.	116 (53)
S30B1AVTANS000.	S	30	B	1	A	V	T	A	N	S	0	00.	116 (53)
S30B1IBBANS000.	S	30	B	1	I	B	B	A	N	S	0	00.	227 (102)
S30B1IEEANS000.	S	30	B	1	I	E	E	A	N	S	0	00.	227 (102)
S30B1IGTANS000.	S	30	B	1	I	G	T	A	N	S	0	00.	227 (102)
S30B1INNANS000.	S	30	B	1	I	N	N	A	N	S	0	00.	227 (102)
S30B1I1EANS000.	S	30	B	1	I	I	E	A	N	S	0	00.	227 (102)
S30B1IVTANS000.	S	30	B	1	I	V	T	A	N	S	0	00.	227 (102)
S30B1IEEANS000.	S	30	B	1	I	E	E	A	N	S	0	00.	227 (102)
S30B1SBBANS000.	S	30	B	1	S	B	B	A	N	S	0	00.	243 (110)
S30B1SGTANS000.	S	30	B	1	S	G	T	A	N	S	0	00.	243 (110)
S30B1SNNANS000.	S	30	B	1	S	N	N	A	N	S	0	00.	243 (110)
S30B1S1EANS000.	S	30	B	1	S	I	E	A	N	S	0	00.	243 (110)
S30B1SVTANS000.	S	30	B	1	S	V	T	A	N	S	0	00.	243 (110)
S30B1HGTANS000.	S	30	B	1	H	G	T	A	N	S	0	00.	243 (110)

### Pump Brand

S= SANDPIPER®

### Pump Size

30=3"

### Check Valve Type

B= Ball

### Design Level

1= Design Level

### Wetted Material

A= Aluminum  
I = Cast Iron  
S= Stainless Steel  
H= Alloy C

### Diaphragm Check Valve Materials

1= Santoprene/Santoprene  
B= Buna/Buna  
C= Viton/PTFE  
E= EPDM/EPDM  
G= PTFE-Neoprene/PTFE  
I= EPDM/ Santoprene  
N= Neoprene/Neoprene  
V= Viton/Viton

### Check Valve Seat

A= Aluminum  
B=Buna  
C= Carbon Steel  
E=EPDM  
N=Neoprene  
S=Stainless Steel  
T= PTFE  
V=Viton

### Non-Wetted Material Options

A= Painted Aluminum  
I= Cast Iron  
J= Painted Aluminum w/PTFE Coated Hardware  
Y= Painted Aluminum w/ Stainless Steel Hardware  
Z= Cast Iron with Stainless Steel Hardware

### Porting Options

N=NPT Threads  
B= BSPT (Tapered) Threads

### Pump Style

S= Standard

### Pump Options

0= None  
1= Sound Dampening Muffler  
2= Mesh Muffler  
3= High temperature Air Valve w/Encapsulated Muffler  
4= High temperature Air Valve w/Sound Dampening Muffler  
5= High temperature Air Valve w/Mesh Muffler  
6= Metal Muffler ⚠

### Kit Options

00.=None  
P0.=0-30VDC Pulse Output Kit  
P1.=Intrinsically-Safe 10-30VDC Pulse Output Kit  
P2.=110/120 or 220/240VAC Pulse Output Kit  
P3.=Intrinsically-Safe 110/120VAC Pulse Output Kit  
P4.=Intrinsically-Safe 220/240VAC Pulse Output Kit  
SP.=Stroke Indicator Pins

\* ⚠ Note: ATEX compliant pumps must be ordered with a metal muffler ⚠

**CAUTION! Operating temperature limitations are as follows:**

<b>Materials</b>	<b>Operating Temperatures</b>	
	<b>Maximum</b>	<b>Minimum</b>
<b>Buna N</b> General purpose, oil-resistant. Shows good solvent, oil, water and hydraulic fluid resistance. Should not be used with highly polar solvents like acetone and MEK, ozone, chlorinated hydrocarbons and nitro hydrocarbons.	190°F 88°C	-10°F -23°C
<b>EPDM</b> Shows very good water and chemical resistance. Has poor resistance to oil and solvents, but is fair in ketones and alcohols.	212°F 100°C	-10°F -23°C
<b>Neoprene</b> All purpose. Resistant to vegetable oil. Generally not affected by moderate chemicals, fats, greases and many oils and solvents. Generally attacked by strong oxidizing acids, ketones, esters, nitro hydrocarbons and chlorinated aromatic hydrocarbons.	170°F 77°C	-10°F -23°C
<b>Santoprene®</b> Injection molded thermoplastic elastomer with no fabric layer. Long mechanical flex life. Excellent abrasion resistance.	212°F 100°C	-10°F -23°C
<b>Virgin PTFE</b> Chemically inert, virtually impervious. Very few chemicals are known to react chemically with PTFE: molten alkali metals, turbulent liquid or gaseous fluorine and a few fluoro-chemicals such as chlorine trifluoride or oxygen difluoride which readily liberate free fluorine at elevated temperatures.	212°F 100°C	-35°F -37°C
<b>Viton®</b> Shows good resistance to a wide range of oils and solvents; especially all aliphatic, aromatic and halogenated hydrocarbons, acids, animal and vegetable oils. Hot water or hot aqueous solutions (over 70°F) will attack Viton®.	212°F 100°C	+32°F 0°C
<b>Polypropylene</b>	150°F 65°C	40°F 5°C

For specific applications, always consult The Warren Rupp Chemical Resistance Chart

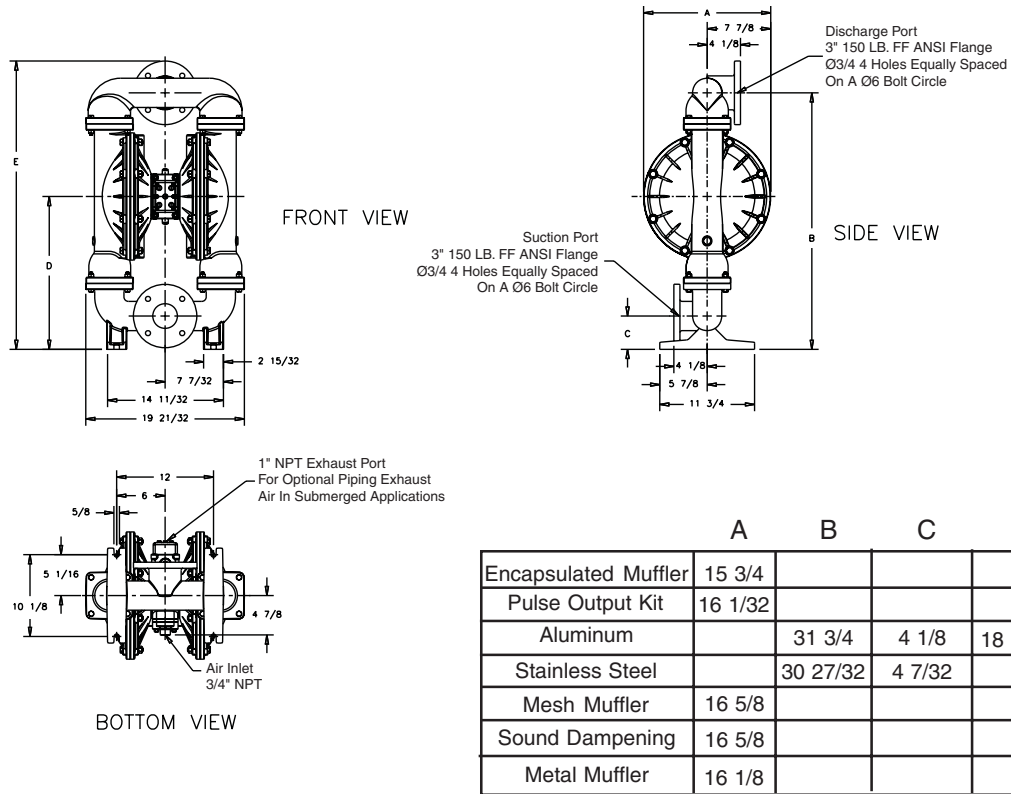
®Santoprene is a registered tradename of Monsanto Corporation.

®Viton is a registered tradename of E. I. DuPont.

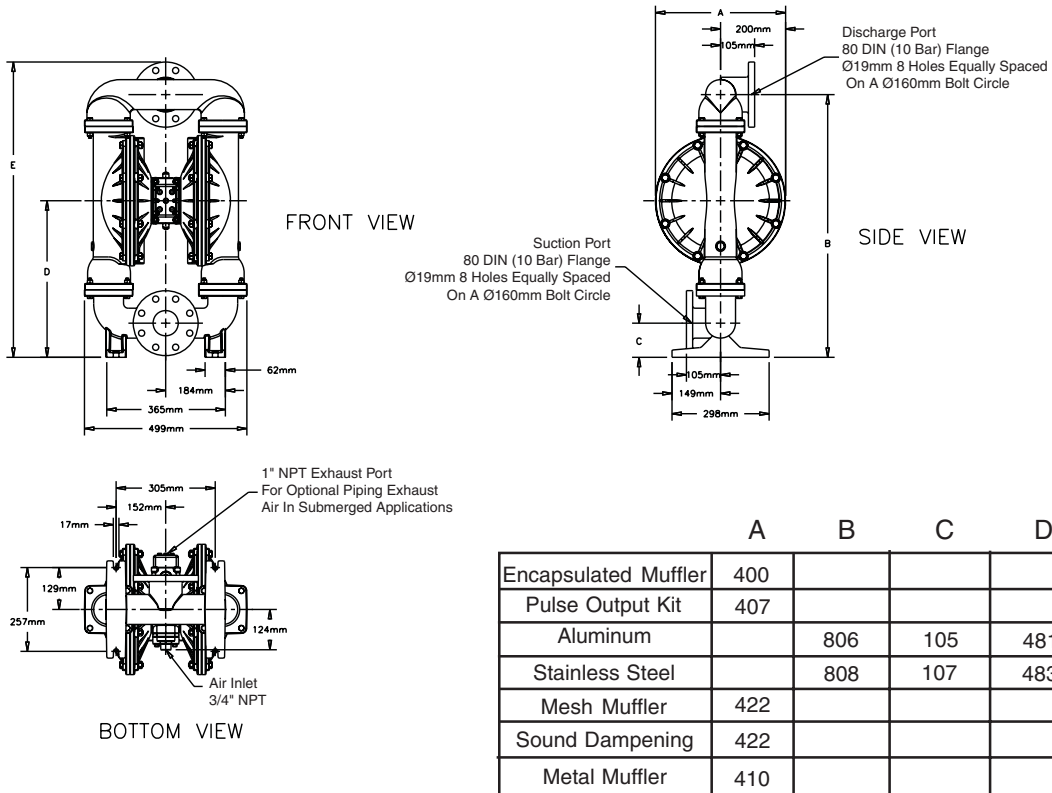
®Warren Rupp and SANDPIPER are registered tradenames of Warren Rupp, Inc.

# Dimensions: S30 Metallic (Flanged)

Dimensions in Inches  
Dimensional Tolerance:  $\pm 1/8"$

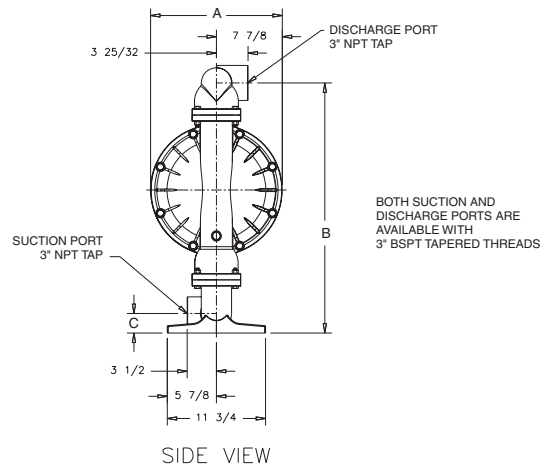
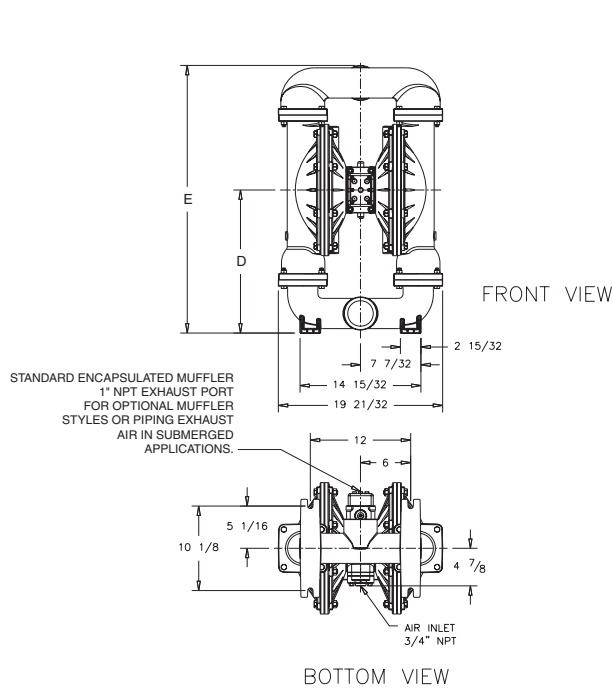


Dimensions in Millimeters  
Dimensional Tolerance:  $\pm 3\text{mm}$



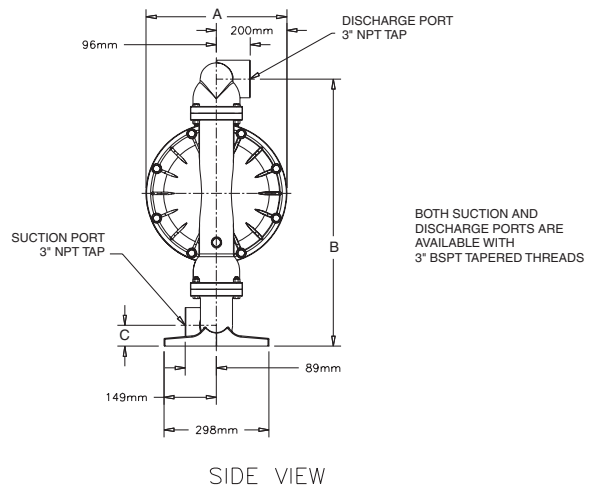
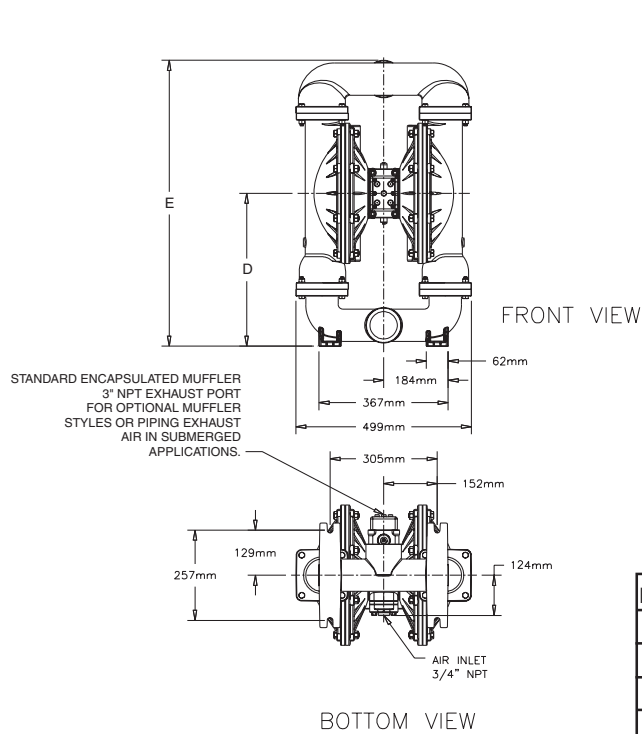
# Dimensions: S30 Metallic

Dimensions in Inches  
Dimensional Tolerance:  $\pm 1/8"$



	A	B	C	D	E
Encapsulated Muffler	15 3/4				
Pulse Output Kit	16 1/32				
Aluminum		31 3/4	4 1/8	18 29/32	32 1/16
Stainless Steel		30 3/16	2 9/16	17 23/64	32 9/32
Mesh Muffler	16 5/8				
Sound Dampening	16 5/8				
Metal Muffler	16 1/8				

Dimensions in Millimeters  
Dimensional Tolerance:  $\pm 3\text{mm}$



	A	B	C	D	E
Encapsulated Muffler	400				
Pulse Output Kit	407				
Aluminum		761	60	435	815
Stainless Steel		767	66	441	821
Mesh Muffler	422				
Sound Dampening	422				
Metal Muffler	410				